

max. 102 m³/h

DC axial fans

Series 3400 N 92 x 92 x 25 mm



Highlights:

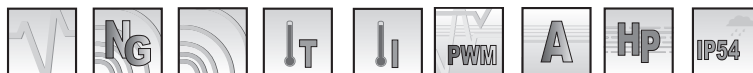
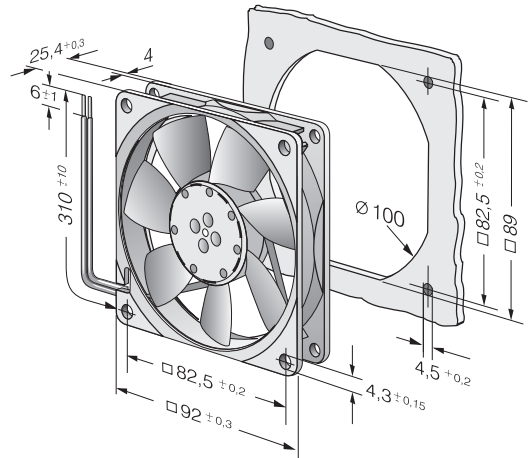
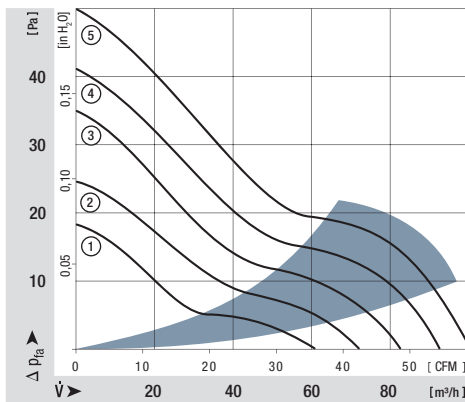
- Ball bearings and sleeve bearings available.
- Some models suitable for use at high ambient temperatures up to 85 °C.

General characteristics:

- Material: fibreglass-reinforced plastic. Impeller PA, housing PBT.
- Fully integrated electronic commutation.
- Protected against reverse polarity and locking.
- Connection via single strands AWG 24, TR 64. Bared and tin-plated.
- Air exhaust over struts. Direction of rotation counter-clockwise, seen on rotor.
- Mass: 100 g.

Nominal data	Air flow		Nominal voltage	Voltage range	Sound pressure level	Sound power level	Sinter sleeve bearings Ball bearings	Power input	Nominal speed	Temperature range	Service life L ₁₀ (40 °C) ebm-papst Standard	Service life L ₁₀ (T _{max}) ebm-papst Standard	Life expectancy L ₁₀ Δ (40 °C) see P. 15	Curve	Specials
	m ³ /h	CFM													
3412 NGLE	61	35,9	12	8...15	23	4,0	□	1,1	1 950	-20...+80	80 000 / 30 000	160 000	1		
3412 NLE	61	35,9	12	8...15	23	4,0	■	0,8	1 950	-20...+85	80 000 / 27 500	160 000	1		
3412 NGME	72	42,4	12	8...15	28	4,3	□	1,6	2 300	-20...+75	75 000 / 32 500	150 000	2		
3412 NME	72	42,4	12	8...15	28	4,3	■	1,1	2 300	-20...+75	75 000 / 32 500	150 000	2	/2	
3412 NG	84	49,4	12	8...15	32	4,7	□	2,2	2 700	-20...+70	70 000 / 35 000	140 000	3	/2	
3412 N	84	49,4	12	8...15	32	4,7	■	2,2	2 700	-20...+70	70 000 / 35 000	140 000	3	/2	
3412 NGH	94	55,3	12	8...15	36	5,0	□	2,5	3 000	-20...+70	70 000 / 35 000	140 000	4		
3412 NH	94	55,3	12	8...15	36	5,0	■	2,5	3 000	-20...+70	70 000 / 35 000	140 000	4	/39	
3412 NGHH	102	60,0	12	8...13,2	39	5,1	□	3,2	3 250	-20...+60	70 000 / 45 000	150 000	5	/2	
3412 NHH	102	60,0	12	8...13,2	39	5,1	■	2,9	3 250	-20...+60	70 000 / 45 000	150 000	5	/2	
3412 NHH-379	102	60,0	12	8...15	39	5,1	■	2,7	3 250	-20...+70	70 000 / 35 000	140 000	5		
3414 NGL	61	35,9	24	18...28	23	4,0	□	1,4	1 950	-20...+70	80 000 / 40 000	160 000	1		
3414 NL	61	35,9	24	18...28	23	4,0	■	1,4	1 950	-20...+70	80 000 / 40 000	160 000	1		
3414 NGM	72	42,4	24	18...28	28	4,3	□	1,8	2 300	-20...+70	75 000 / 37 500	150 000	2		
3414 NM	72	42,4	24	18...28	28	4,3	■	1,8	2 300	-20...+70	75 000 / 37 500	150 000	2		
3414 NG	84	49,4	24	18...28	32	4,7	□	2,3	2 700	-20...+70	70 000 / 35 000	140 000	3		
3414 N	84	49,4	24	18...28	32	4,7	■	2,3	2 700	-20...+70	70 000 / 35 000	140 000	3	/2	
3414 NGH	94	55,3	24	18...26	36	5,0	□	3,0	3 000	-20...+70	70 000 / 35 000	140 000	4	/2	
3414 NH	94	55,3	24	18...26	36	5,0	■	3,0	3 000	-20...+70	70 000 / 35 000	140 000	4		
3414 NGHH	102	60,0	24	18...26	39	5,1	□	3,2	3 250	-20...+70	70 000 / 35 000	140 000	5	/2	
3414 NGH-389	102	60,0	24	18...28	39	5,1	□	3,2	3 250	-20...+70	70 000 / 35 000	140 000	5		
3414 NHH	102	60,0	24	18...26	39	5,1	■	2,7	3 250	-20...+70	70 000 / 35 000	140 000	5	/39	
3414 NHH-386	102	60,0	24	18...28	39	5,1	■	2,7	3 250	-20...+70	70 000 / 35 000	140 000	5		
3418 N	84	49,4	48	36...56	32	4,7	■	2,4	2 700	-20...+70	70 000 / 35 000	140 000	3		

Other 48 VDC models on request.



Mouser Electronics

Authorized Distributor

Click to View Pricing, Inventory, Delivery & Lifecycle Information:

[ebm-papst:](#)

[3412](#) [3414](#) [3412GM](#) [3412NL](#) [3412L](#) [3414L](#) [3414H](#) [3414M](#) [3418N/2HH](#)